

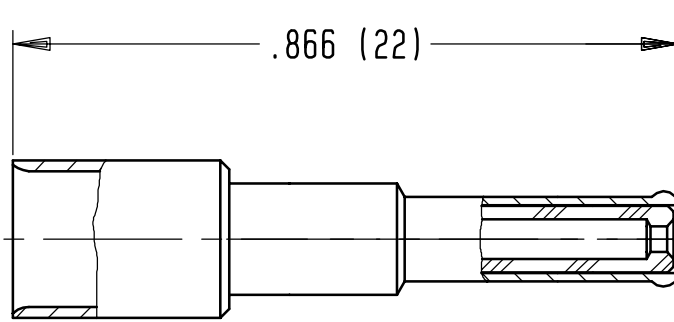
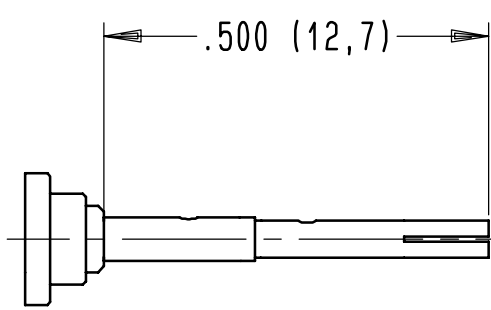
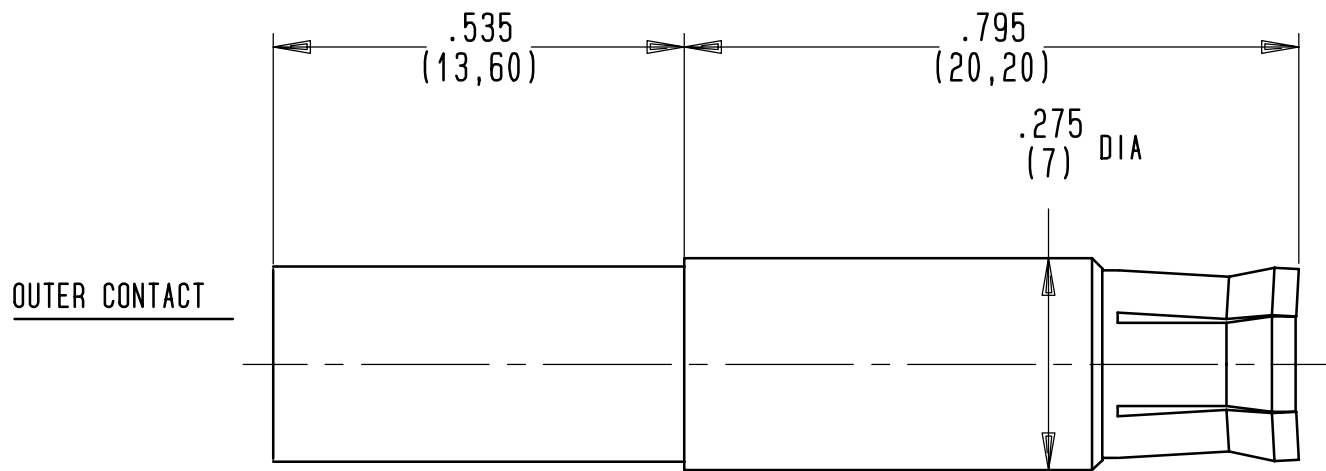


Series  
DSX

SIZE 5 TRIAXIAL SOCKET CONTACT FOR 36C7 AND 36T7 WHITH GROMMET INSERTS ONLY  
AND FOR AXON RGX 179 CABLE.

Issue:  
Mar 12, 2003

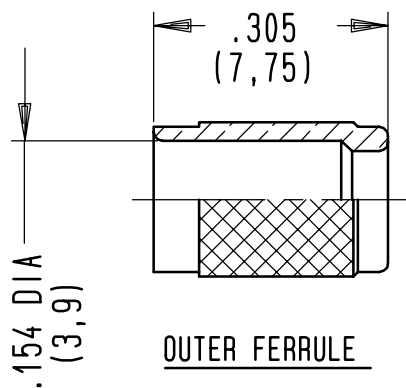
Page  
1 / 1



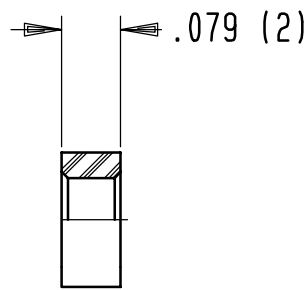
.096 (2,44)  
.076 (1,94)

CENTER CONTACT SUB ASSEMBLY

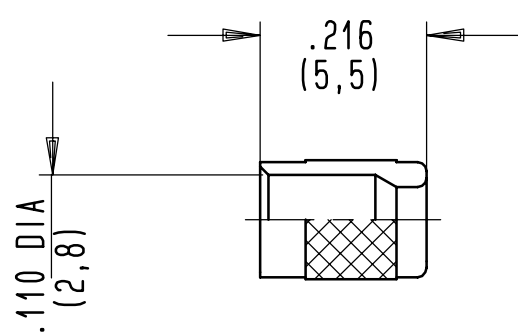
INTERMEDIATE CONTACT



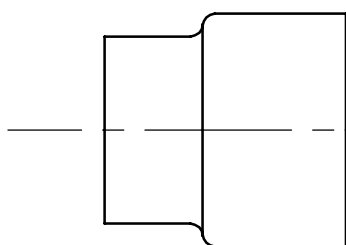
OUTER FERRULE



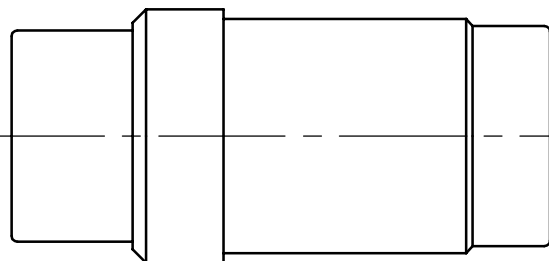
INSULATOR



INTERMEDIATE FERRULE



SEALING SLEEVE



SEALING BUSHING

MATERIAL AND FINISH

OUTER, INTERMEDIATE AND CENTER CONTACT: BERYLLIUM COPPER\_GOLD OVER NICKEL UNDERPLATE  
INSULATORS: TEFLON  
FERRULES: BRASS.GOLD OVER NICKEL UNDERPLATE

WIRING INSTRUCTIONS: RP7228

ATTENTION: SLIDE OUTER SEALING SLEEVE AND SEALING BUSHING OVER THE CABLE BEFORE WIRING

This information is given as an indication. In the continual goal to improve our products, we reserve the right to make any modifications judged necessary.

4112-9610

CREATION				
PEN: M94106050A				
NOM: GOMBERT				
DATE: 11 JAN 95				
APPR.:	Mar 12 03	Redrawn. Modification of sealing bushing.	L.Garcia	C.Lahoreau
	Issue	Revisions	Name	Approved